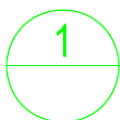
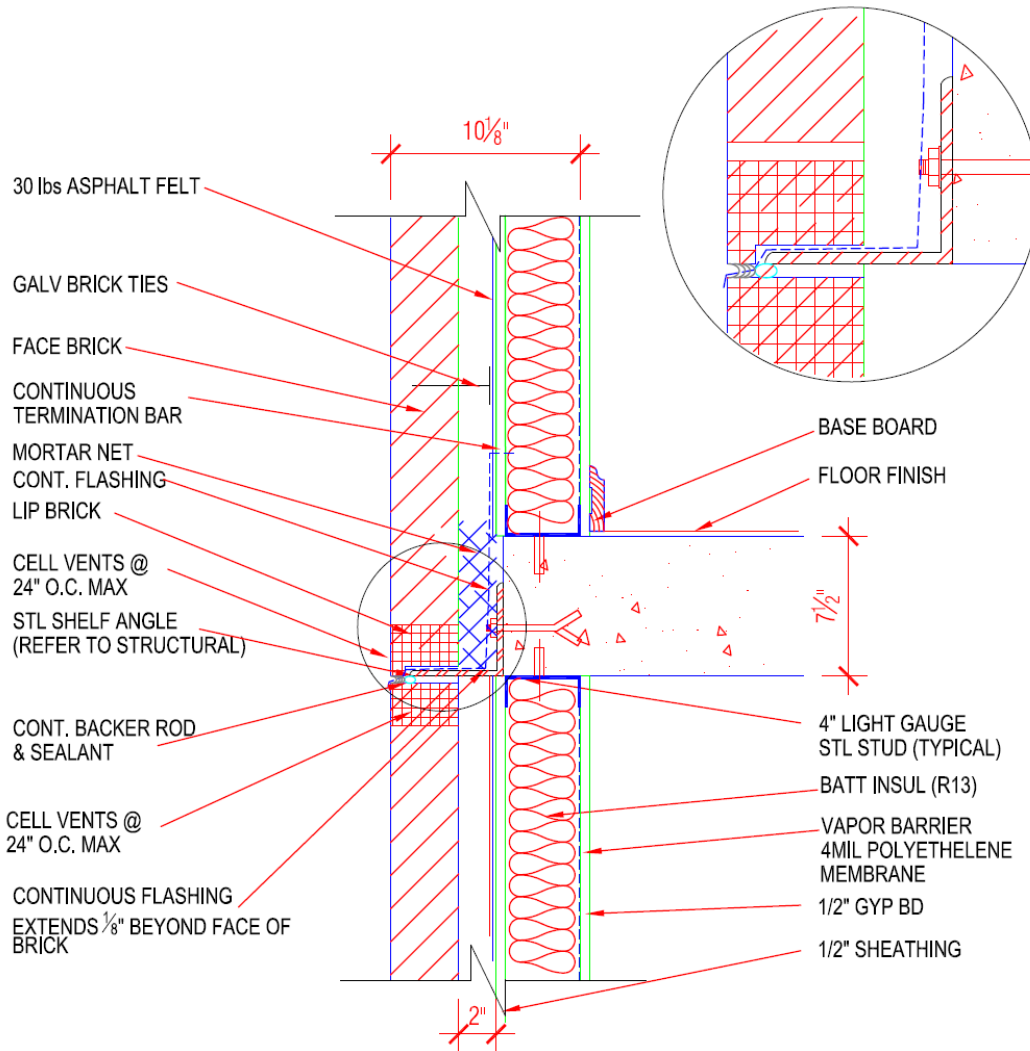


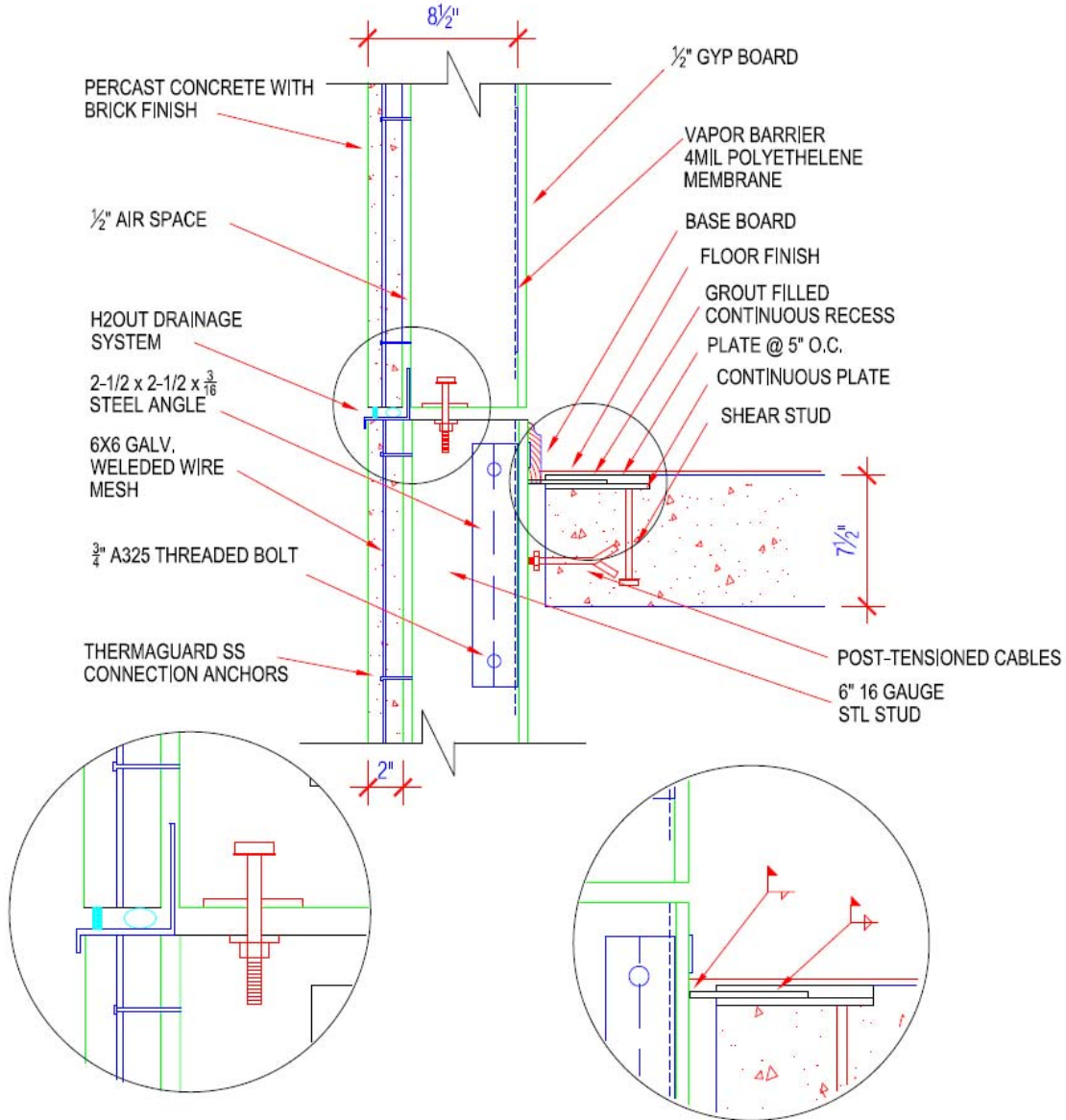


APPENDIX B: SLENDERWALL PANEL DETAILS

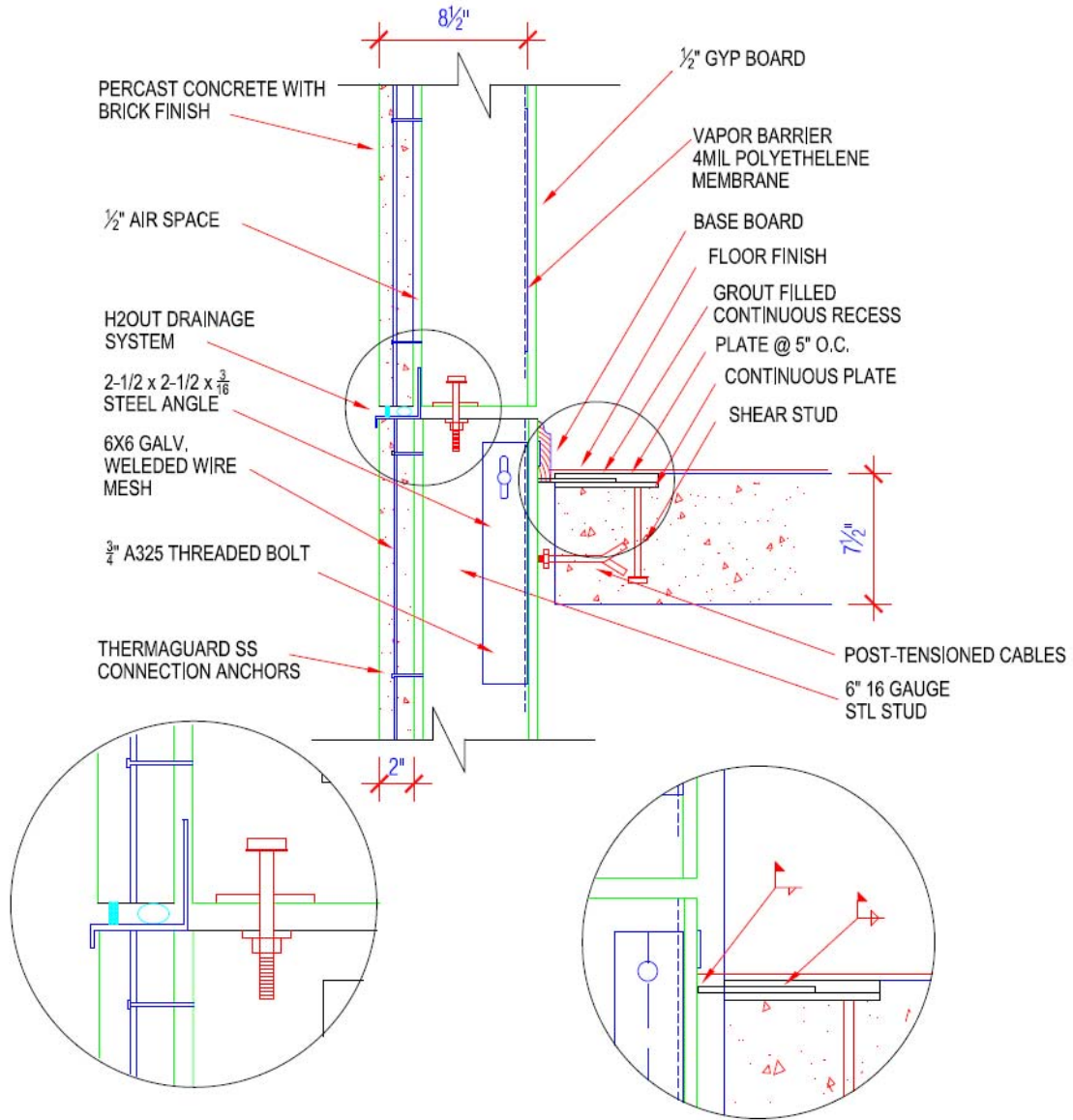


TYPICAL BRICK VENEER CONSTRUCTION

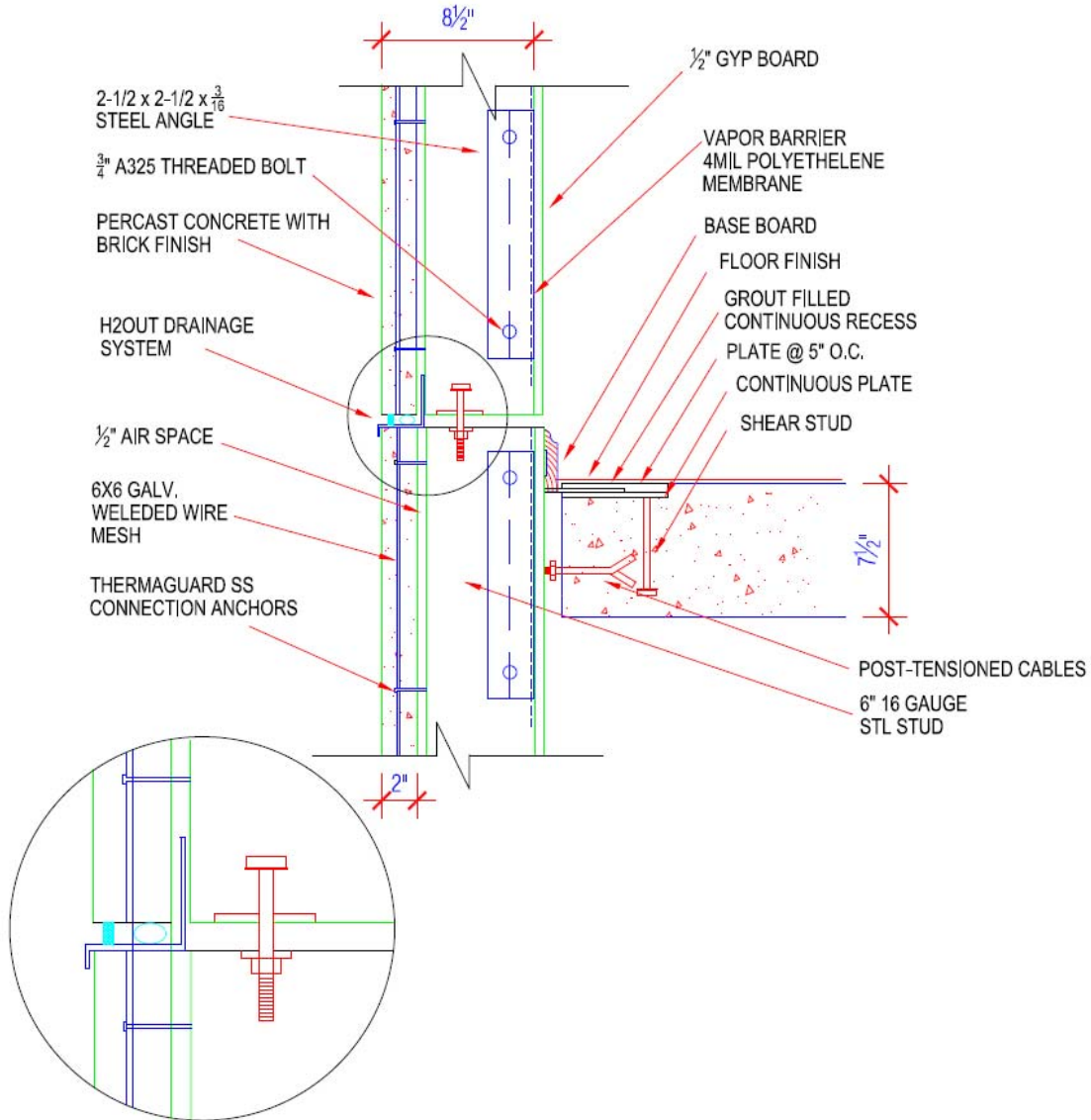
SCALE: 1 1/2"=1'-0"



2 TYPICAL PRECAST GRAVITY CONNECTION
SCALE: 1 1/2"=1'-0"



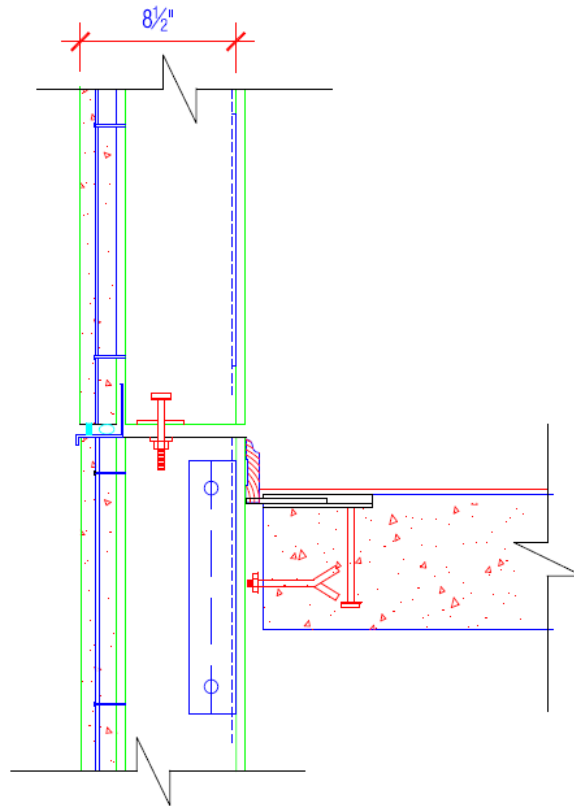
3 TYPICAL PRECAST TIE-BACK CONNECTION
SCALE: 1 1/2"=1'-0"



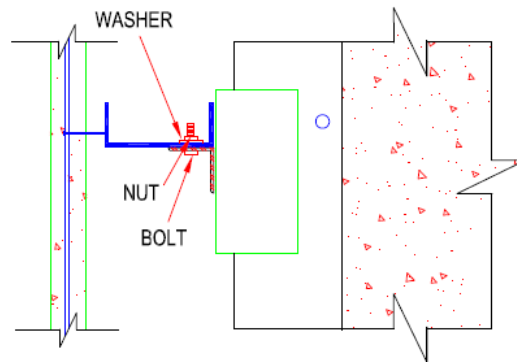
4

TYPICAL PANEL TO PANEL CONNECTION

SCALE: 1 1/2"=1'-0"



SECTION

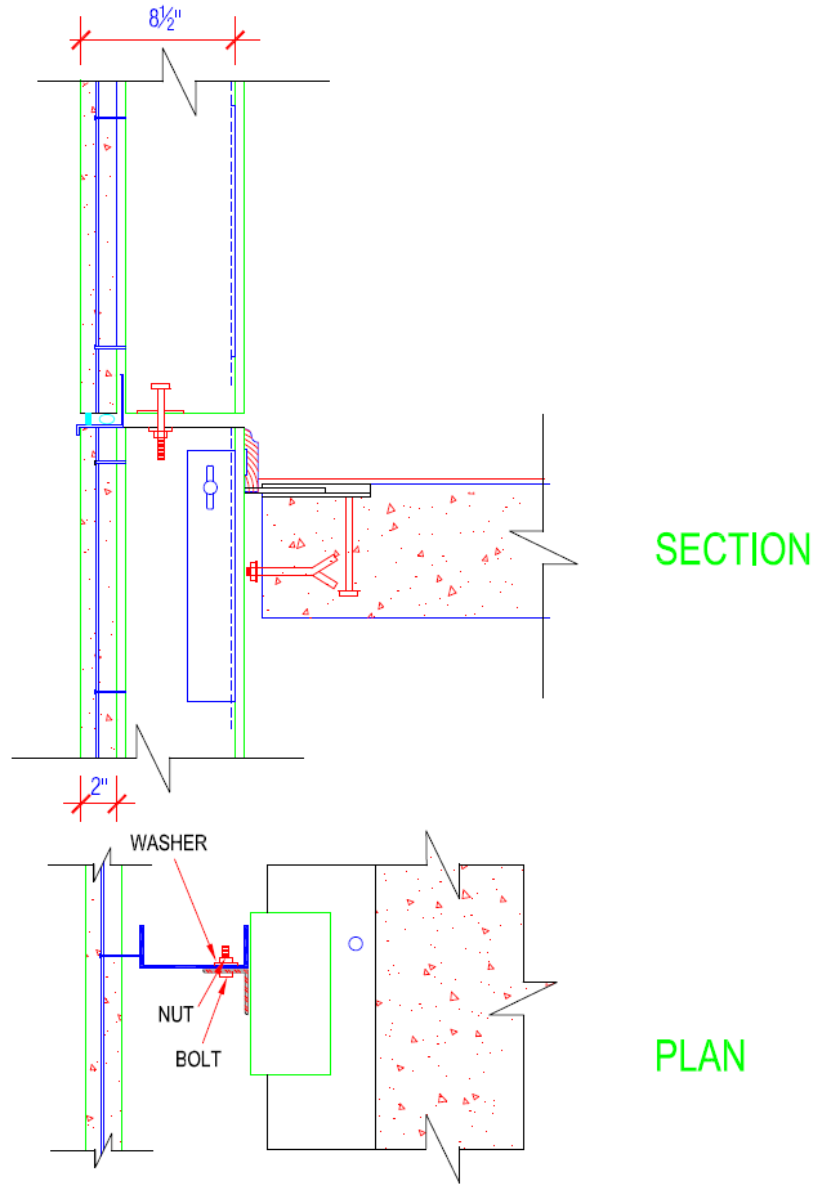


PLAN

5

TYPICAL PRECAST GRAVITY CONNECTION

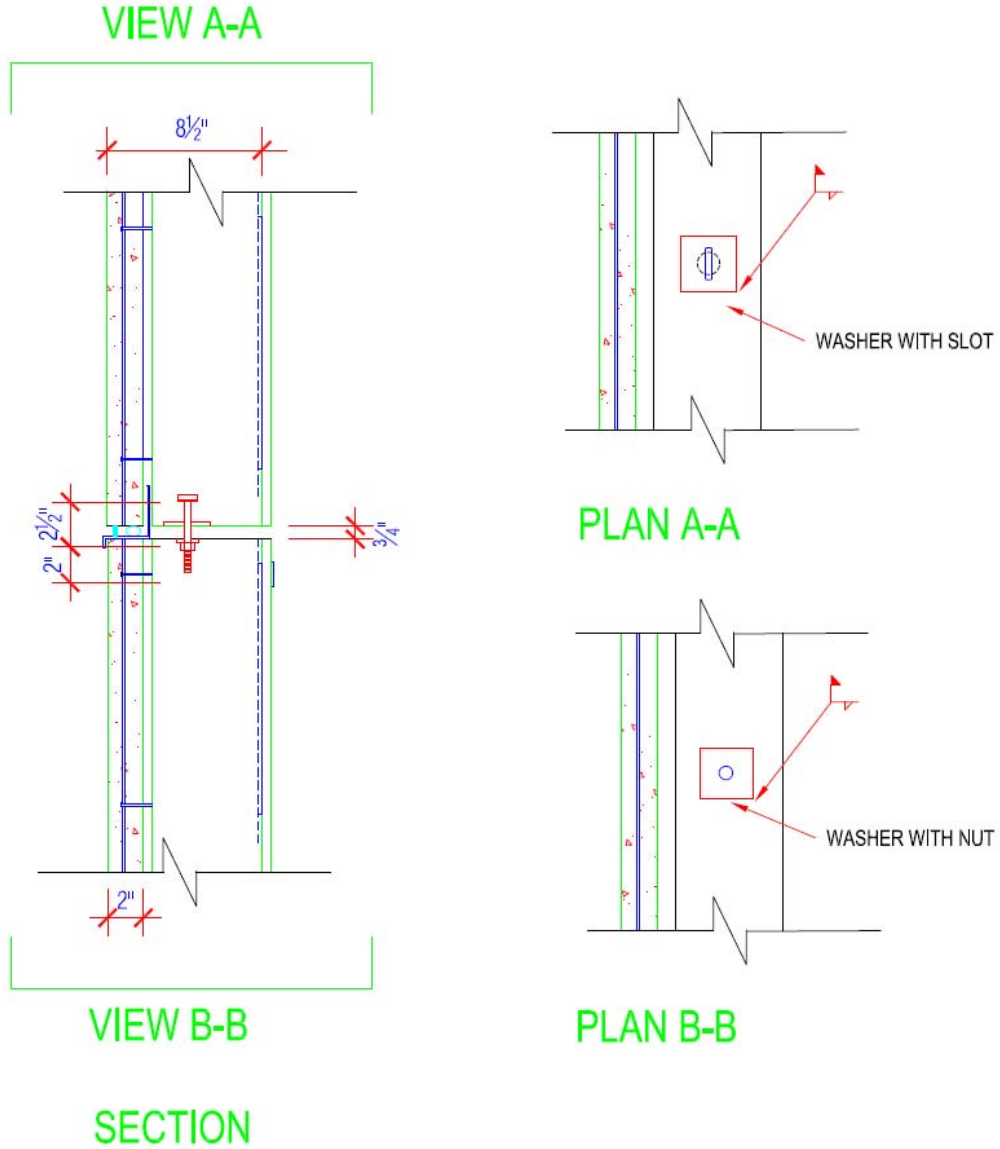
SCALE: 1 1/2"=1'-0"



6

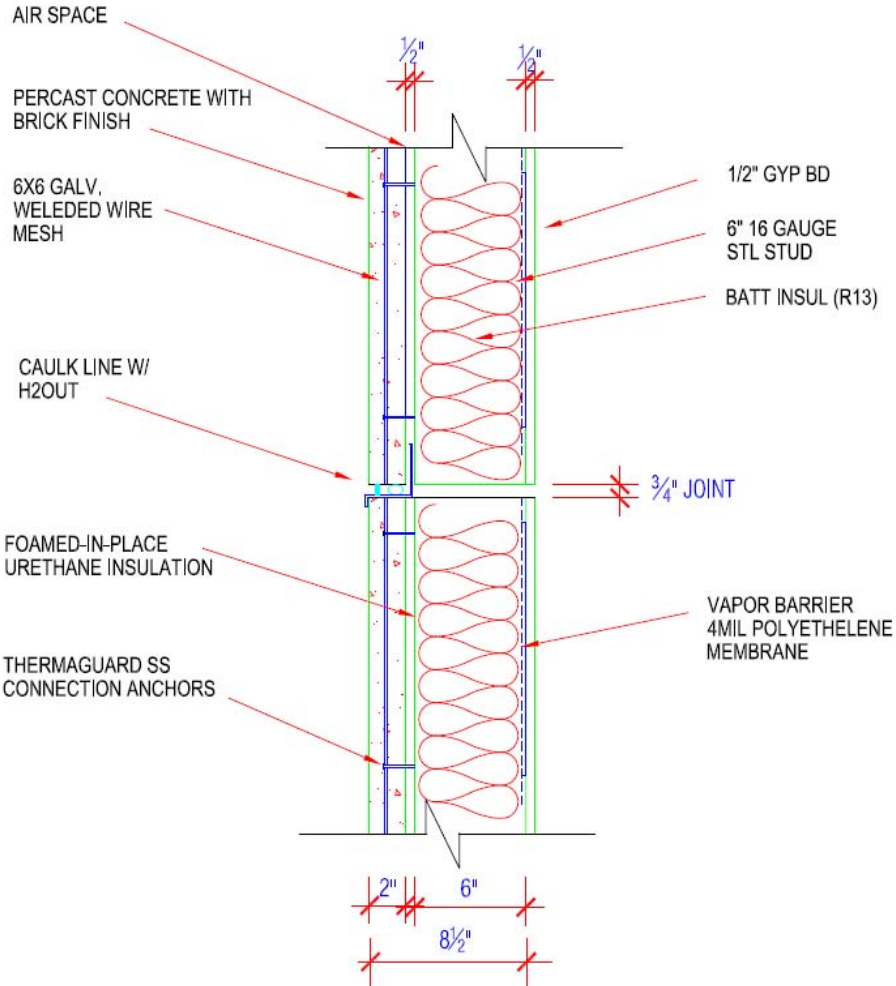
TYPICAL PRECAST TIE-BACK CONNECTION

SCALE: 1 1/2"=1'-0"



TYPICAL PANEL TO PANEL CONNECTION

SCALE: 1 1/2"=1'-0"



8

TYPICAL SLENDERWALL SECTION

SCALE: 1 1/2"=1'-0"